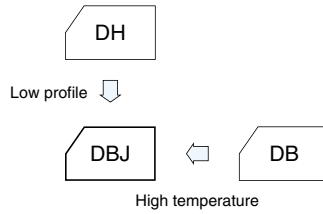


5.5V Low profile and high temperature Capacitors

GREEN CAP 85°C

- High temperature type of series DB.
- Small-sized, large capacity, excellent voltage holding.
- For all ratings, uniform 5mm pitch of terminal spacing.
- ø13.5x7.5 l size can encase up to 0.33F.
- Ideal for backing up of CMOS's, microcomputers, RAM's and the like used in VCR's, tuners, TV sets, telephone sets and others.



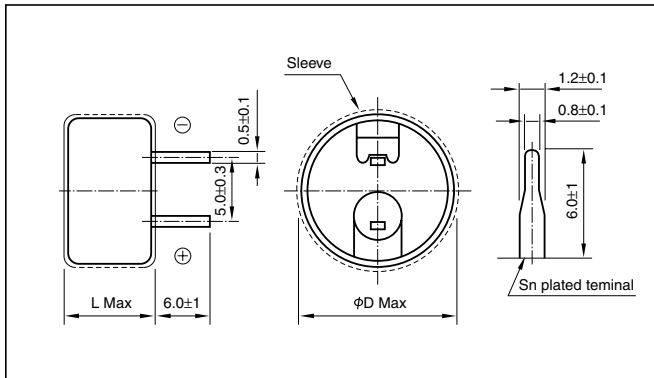
Marking color : White print on a black sleeve

Specifications

Item	Performance						
Category temperature range (°C)	-10 to +85						
Tolerance at rated capacitance (%)	-20 to +80						
Internal resistance at 1 kHz	Rated Capacitance (F)	0.047	0.1	0.22	0.33	0.47	1.0
	Internal resistance (Ω)	200	150	150	150	75	75
Characteristics at high and low temperature	Percentage of capacitance change	Within ±30% of the value at 20°C					
	Internal resistance	Within four times of the initial specified value					
Endurance (85°C)	Test time	1000 hours					
	Percentage of capacitance change	Within ±30% of the initial measured value					
	Internal resistance	Within five times of the initial specified value					
Shelf life (85°C)	Test time :1000 hours ; Same as endurance.						

Outline Drawing

Unit: mm



Part numbering system (example: 5.5V0.1F)

DBJ	—	5R5	D	104	T
Series code		Rated voltage symbol		Rated capacitance symbol	

Part number is refer to below table.

Standard Ratings

Max. operating voltage(V)	Rated capacitance(F)	ELNA Parts No.	ø DxL(mm)
5.5	0.047	DBJ-5R5D473T	13.5x7.5
5.5	0.1	DBJ-5R5D104T	13.5x7.5
5.5	0.22	DBJ-5R5D224T	13.5x7.5
5.5	0.33	DBJ-5R5D334T	13.5x7.5
5.5	0.47	DBJ-5R5D474T	21.5x8.0
5.5	1.0	DBJ-5R5D105T	21.5x8.0