

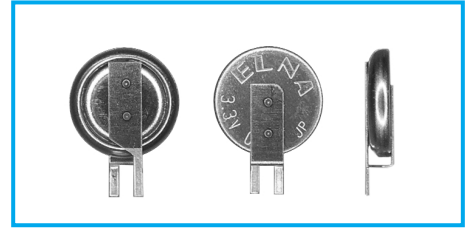
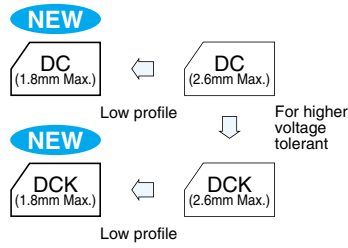
DC, DCK-614 ELECTRIC DOUBLE LAYER CAPACITORS "DYNACAP"

ELNA®

1.8mm Max. height Coin Cell Capacitors

GREEN CAP 60°C / 70°C

- Unlike batteries, the number of charging/ discharging cycles unlimited and rapid charging/ discharging is possible.
- High reliability, Safe and unlike secondary batteries, this is pollution free devices.
- 1.8mm height type made lineup in the DC, DCK series.

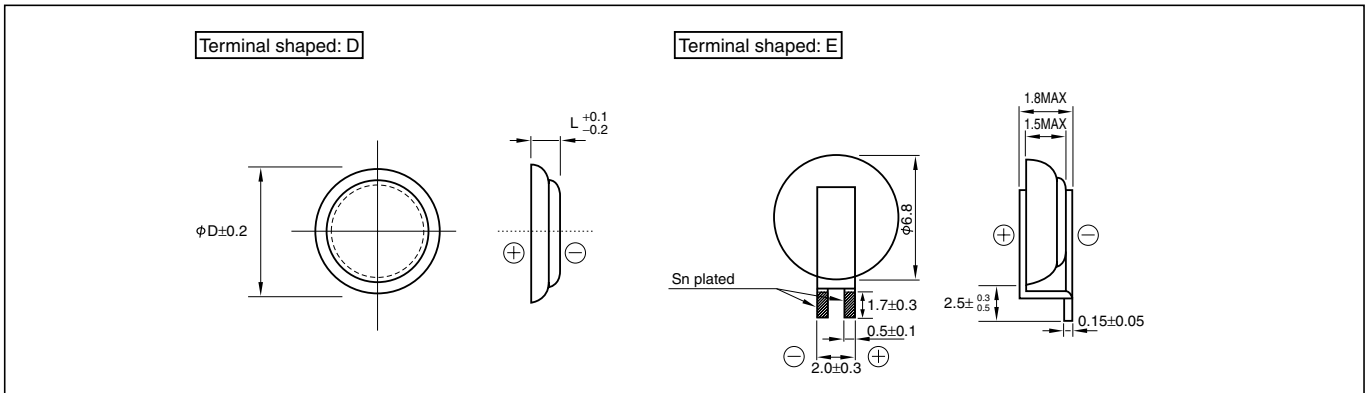


Specifications

Item	Performance			
	DC series		DCK series	
Series Name	DC series		DCK series	
Rated voltage (V)	2.5		3.3	
Category temperature range (°C)	-25 to +70		-10 to +60	
Tolerance at rated capacitance (%)	-20 to +80		-20 to +80	
Rated Capacitance (F)	0.2		0.2	
Internal resistance(Ω) at 1 kHz	100		200	
Characteristics at high and low temperature	Percentage of capacitance change	Within ±30% of the value at 20°C	Percentage of capacitance change	Within ±50% of the value at 20°C
	Internal resistance	Less than five times of the value at 20°C	Internal resistance	Within ten times the initial specified value
Endurance	Test temperature	70°C	Test temperature	60°C
	Test time	1000 hours	Test time	1000 hours
	Percentage of capacitance change	Within ±30% of the initial measured value	Percentage of capacitance change	Within ±30% of the initial measured value
	Internal resistance	2kΩ Max.	Internal resistance	4kΩ Max.
Shelf life	Test time :1000 hours ; Same as endurance.			

Outline Drawing

Unit: mm



Part numbering system (example: 2.5V0.2F, terminal shaped: E)

DC	—	2R5	E	204	T 614	—	E
Series code		Rated voltage symbol		Rated capacitance symbol	Additional symbol		

Part numbering system (example: 3.3V0.2F, terminal shaped: E)

DCK	—	3R3	E	204	T 614	—	E
Series code		Rated voltage symbol		Rated capacitance symbol	Additional symbol		

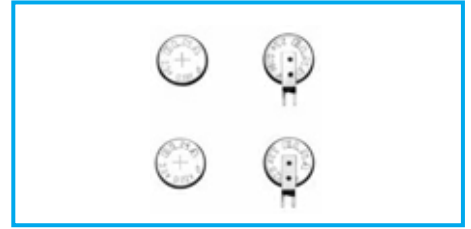
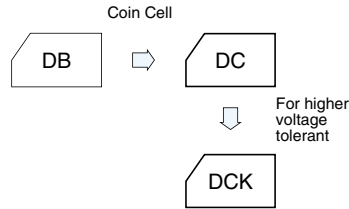
Standard Ratings

Max. operating voltage(V)	Rated capacitance(F)	ELNA Parts No.	φ DxL(mm)
2.5	0.2	DC-2R5D204T614	6.8x1.4
		DC-2R5E204T614-E	
3.3	0.2	DCK-3R3D204T614	6.8x1.4
		DCK-3R3E204T614-E	

Coin Cell Capacitors

GREEN CAP 60°C / 70°C

- Small-sized, but large capacity.
- Unlike batteries, unlimited charge/discharge cycles; ideal for solar watches, solar calculators, solar remote control units, camaras and the like.

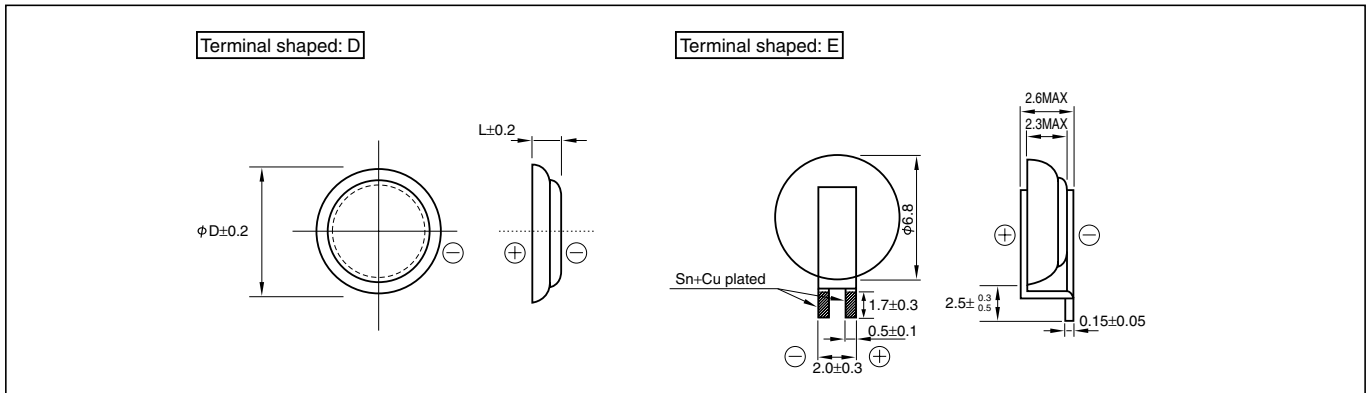


Specifications

Item	Performance			
	DC series		DCK series	
Series Name	DC series		DCK series	
Rated voltage (V)	2.5		3.3	
Category temperature range (°C)	-25 to +70		-10 to +60	
Tolerance at rated capacitance (%)	-20 to +80		-20 to +80	
Rated Capacitance (F)	0.22		0.22	
Internal resistance(Ω) at 1 kHz	100		200	
Characteristics at high and low temperature	Percentage of capacitance change	Within ±30% of the value at 20°C	Percentage of capacitance change	Within ±50% of the value at 20°C
	Internal resistance	Less than five times of the value at 20°C	Internal resistance	Within five times the initial specified value
Endurance	Test temperature	70°C	Test temperature	60°C
	Test time	1000 hours	Test time	1000 hours
	Percentage of capacitance change	Within ±30% of the initial measured value	Percentage of capacitance change	Within ±30% of the initial measured value
	Internal resistance	Within four times of the initial specified value	Internal resistance	Within four times of the initial specified value
Shelf life	Test time :1000 hours ; Same as endurance.			

Outline Drawing

Unit: mm



Part numbering system (example: 2.5V0.22F, terminal shaped: E)

DC	—	2R5	E	224	□	—	E
Series code		Rated voltage symbol		Rated capacitance symbol	Additional symbol		

Part numbering system (example: 3.3V0.22F, terminal shaped: E)

DCK	—	3R3	E	224	□	—	E
Series code		Rated voltage symbol		Rated capacitance symbol	Additional symbol		

Part number is refer to below table.

Standard Ratings

Max. operating voltage(V)	Rated capacitance(F)	ELNA Parts No.	φ DxL(mm)
2.5	0.22	DC-2R5D224	6.8x2.1
		DC-2R5E224U-E	
3.3	0.22	DCK-3R3D224	6.8x2.1
		DCK-3R3E224U-E	